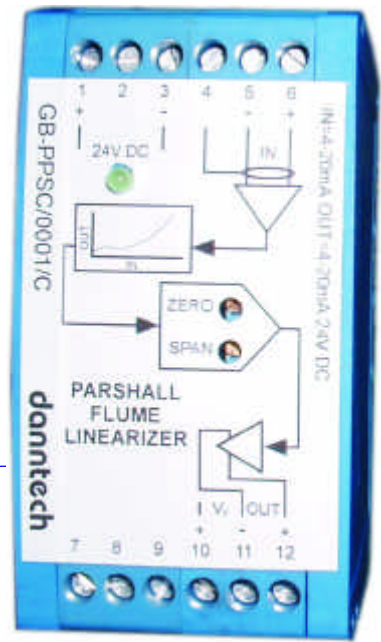


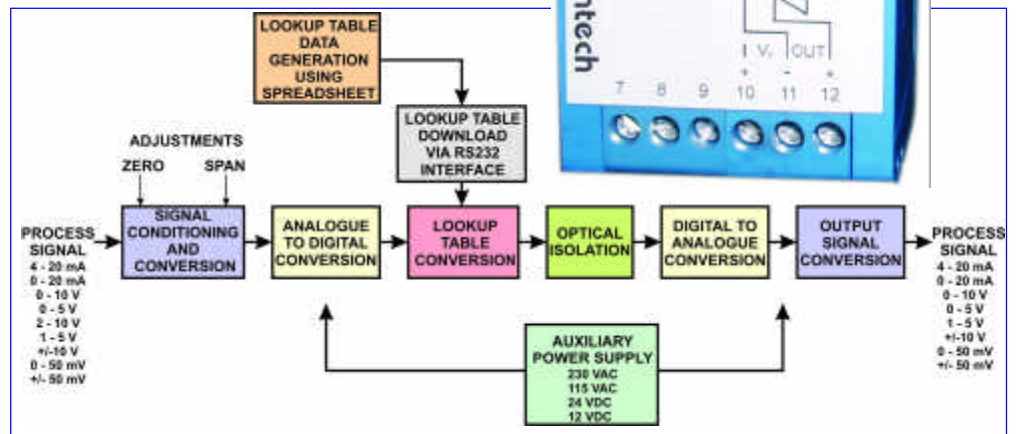
PROGRAMMABLE TRANSFER FUNCTION SIGNAL CONVERTER

- ❑ **All standard inputs and outputs available.**
- ❑ **Choose your own transfer function.**
- ❑ **Galvanic isolation between input and output - AC powered versions 1500 VAC, DC powered versions 1000 VAC.**
- ❑ **Conversion accuracy better than 0.3%.**
- ❑ **1024 data conversion points.**



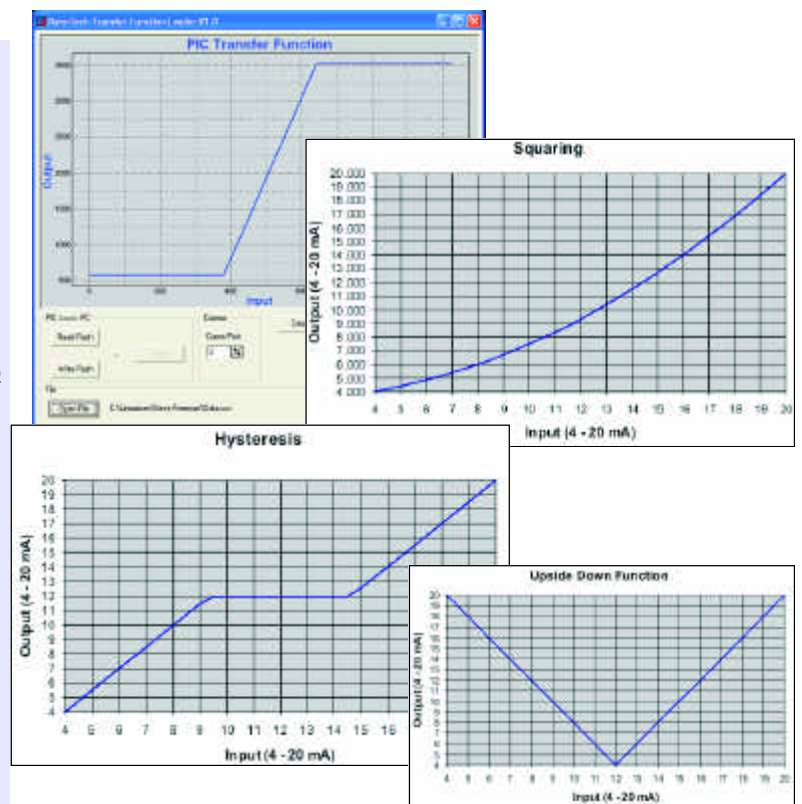
APPLICATIONS:

- Square root extraction.
- Signal conversion.
- Signal linearization.
- Changing the slope and limits of a signal.



SPECIFICATIONS:

- ❑ Standard input signal ranges from 0-50 mV, ± 10 V to 4-20 mA.
- ❑ Bipolar input and output configurations.
- ❑ Customised input and output ranges on request.
- ❑ Input impedance of >100 k Ω for the voltage input and 50 Ω for the current input models.
- ❑ Maximum input signals of 250 V for voltage input and 100 mA for the current input.
- ❑ Output signal ranges of 0-10V, ± 10 V, 4-20 mA and 0-20 mA.
- ❑ Output load >2 k Ω for the voltage output and 500 Ω maximum for the current output.
- ❑ Multi-turn trimpot adjustment for zero and span on the front of the unit.
- ❑ Accuracy better than 0.3% of full scale.
- ❑ Auxiliary supply 115/230 VAC $\pm 10\%$ 50/60 Hz or 12/24 VDC $\pm 5\%$.
- ❑ Isolation between input and output $>1,500$ VAC for AC powered versions and $>1,000$ VAC for DC powered versions.
- ❑ Operating temperature 0 to 70°C.
- ❑ 24 hour operational burn-in.
- ❑ DIN rail mounting with dimensions 40 x 80 x 85 mm (W x H x D).



Danntech cc
 Reg. No. CK86/15338/23
 Tel: + 27 (0)11 792-1239
 Fax: + 27 (0)11 792-4687
 56 Martha Road, Fontainebleau, Randburg
 P O Box 1023, Fontainebleau, 2032
 Republic of South Africa
www.danntech.com