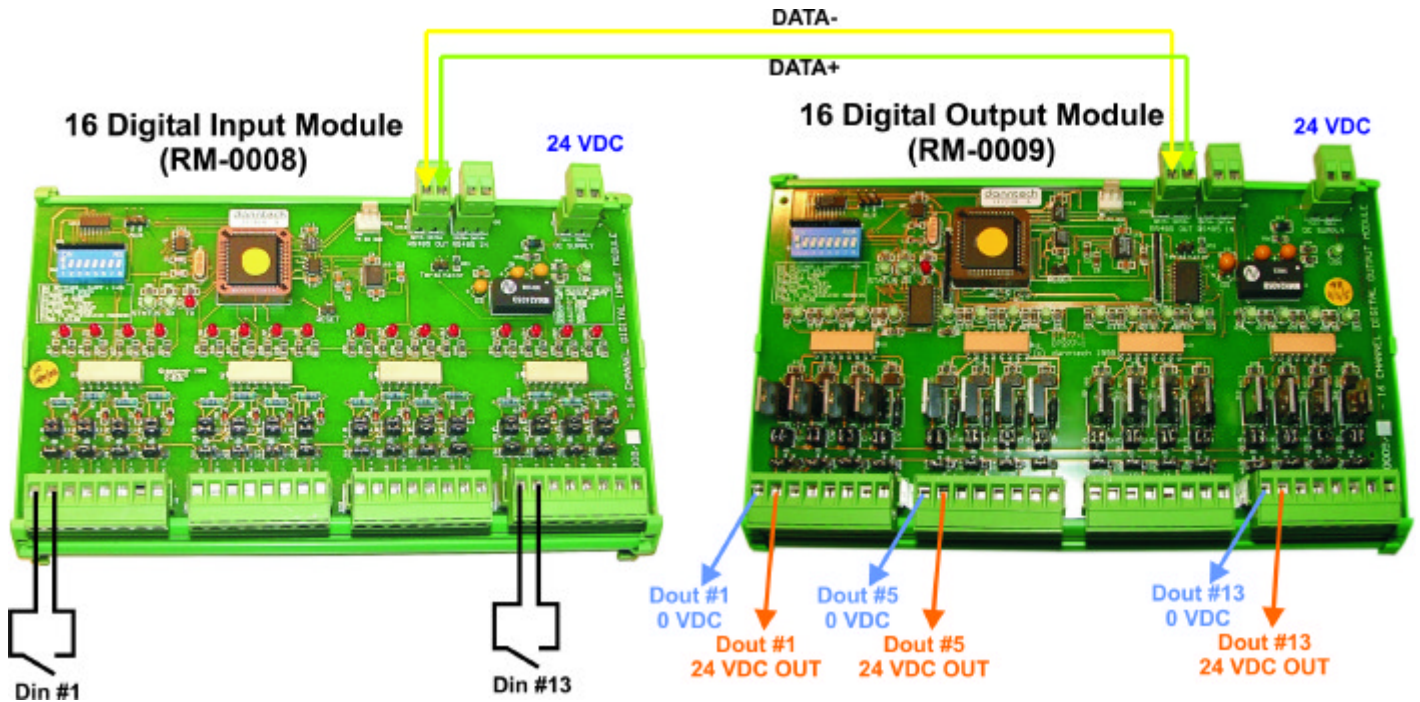


# 16 DIGITAL INPUT/OUTPUT KOMPRESSOR



The 16 Digital Input/Output Kompressor comprises of two Danntech Remote Magic family modules, the 16 Digital Input Module (RM-0008) and the 16 Digital Output Module (RM-0009). The product has been designed to reduce the wiring required for up to 16 digital inputs and outputs. The input module can be connected to the output module using standard telephone type wire (single twisted pair) which can be up to 1,000 m apart. Wireless and ethernet links are also available for these modules. The digital inputs are simply replicated at the outputs of the Digital Output Module.

## SPECIFICATIONS:

- Input voltage range 3 to 30 VDC.
- Powered or switch type inputs, link selectable.
- Potential free normally open or normally closed contacts can be used as the inputs and each input can be set up differently.
- 2 kV isolation between each digital input and each digital output.
- NPN transistor for each output capable of switching 50 VDC at 1 A.
- Outputs can be configured as isolated switches or used to switch the DC supply to the respective output.
- Each output protected by a 1 A fast-blow semiconductor fuse.
- Response time approximately 150 mSec.
- Error detection at input and output module with LED, and in future models, relay output indication.
- Serial communications RS485 at 9,600 bits/sec.
- Power requirements are 23 to 28 VDC at approximately 200 mA per module plus output current.
- LEDs provide indication of input power supply, communication status (transmit or receive), microprocessor status, error status and the state of each digital input and output.
- Operating temperature -0°C to 70°C.
- DIN rail mounting with plug-in screw terminal connections.
- Dimensions of each module 110 x 260 x 30 mm (W x L x H).

## Part Numbering:

RM-KMP/16DIO/C 16 Digital Input Output Kompressor 24 VDC

**dt danntech**  
PROCESS INSTRUMENTATION

**Danntech cc**  
Reg. No. CK86/15338/23  
Tel: + 27 (0)11 792-1239  
Fax: + 27 (0)11 792-4687  
80 Maria Road, Fontainebleau, Randburg  
P O Box 1023, Fontainebleau, 2032  
Republic of South Africa  
[www.danntech.com](http://www.danntech.com)

