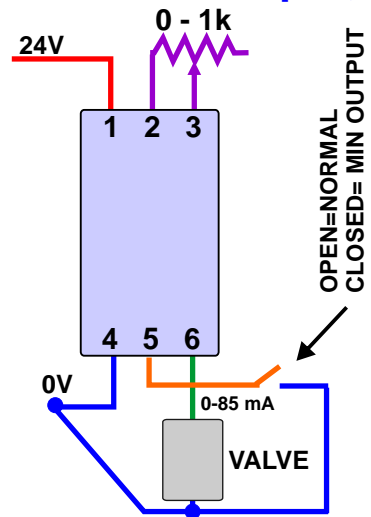


Resistance Input; Low Current Output (<100mA); Mode 2



No isolation between input, output or setpoint input. Output shares a common 0V with input supply. Minimum step response approximately 3 mSec.

Mode 2: Ramp Up/Down with External Control
Control Input can be either open circuit, switched to 0V or switched to Vcc. This controls the - Ramp Up and Ramp Down to and from Setpoint. When Control Input is open the output will ramp to the setpoint value, when switched to 0V or +Vcc the output ramps down to the minimum output value.

