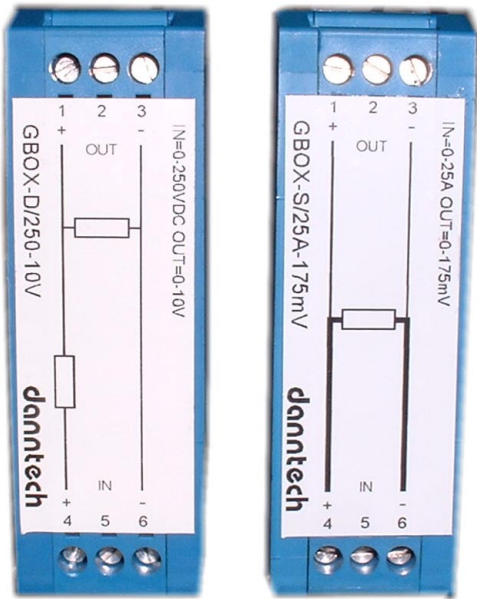


# CURRENT SHUNTS AND VOLTAGE DIVIDERS



The current shunts and voltage dividers extent the input signal range of our Signal Converters and AC Current and Voltage Transducers.

The voltage dividers can be used up to 1000 V with DC or AC and the current shunts cover the range 1 A to 25 A.

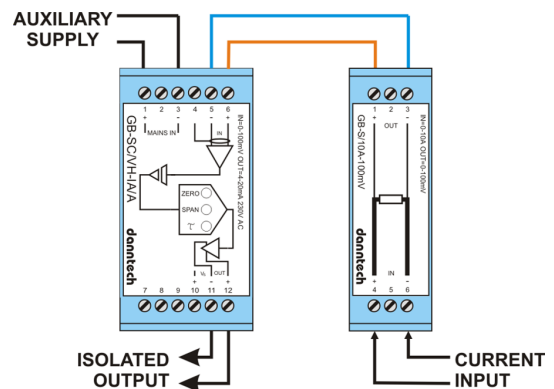
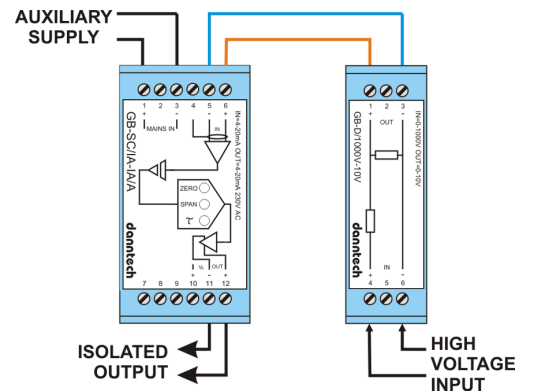
Compact, economically priced, accurate and stable.

## APPLICATIONS:

- High voltage and current isolation and conversion.
- Filtering of noisy signals using a Signal Converter or Voltage Transducer.
- DC Servomotor current and voltage feedback isolation and conversion.
- Being a simple resistive divider or shunt the bandwidth of the Signal Converter and Voltage Transducers are maintained.
- Isolation to 1500 VAC rms when used with a Signal Converter or Voltage Transducer.

## SPECIFICATIONS:

- Standard voltage inputs up to 1000 V.
- Standard current inputs up to 25 A.
- Can be used with bipolar input signals
- Customized input and output ranges on request.
- Most suitable output for voltage dividers is 10 V for best accuracy with Signal Converters for DC and Voltage Transducers for AC.
- Best accuracy shunt output is 200 mV for Signal Converters for DC and Voltage Transducers for AC.
- Combined calibration certificate if purchased with a Signal Converter or Voltage Transducer.
- Operating temperature 0 to 55°C.
- DIN rail mounting with dimensions 25 x 80 x 85 mm (W x H x D).



GB-S/25A-175MV	Shunt 0-25A/0-175mV
GB-S/10A-200MV	Shunt 0-10A/0-200mV
GB-S/15A-150MV	Shunt 0-15A/0-150mV
GB-S/1A-100MV	Shunt 0-1A/0-100mV

GB-D/1000V-400V	Voltage Divider 0-1000V/0-400V
GB-D/1000V-10V	Voltage Divider 0-1000V/0-10V
GB-D/1000V-110V	Voltage Divider 0-1000V/0-110V
GB-D/250V-10V	Voltage Divider 0-250V/0-10V
GB-D/600V-10V	Voltage Divider 0-600V/0-10V
GB-D/650V-10V	Voltage Divider 0-650V/0-10V
GB-D/700V-10V	Voltage Divider 0-700V/0-10V



**Danntech** cc  
 Reg. No. CK86/15338/23  
 Tel: ++ 27 (0)11 792-1239  
 Fax: ++ 27 (0)11 792-4687  
 56 Martha Road, Fontainebleau, Randburg  
 P O Box 1023, Fontainebleau, 2032  
 Republic of South Africa  
[www.danntech.com](http://www.danntech.com)